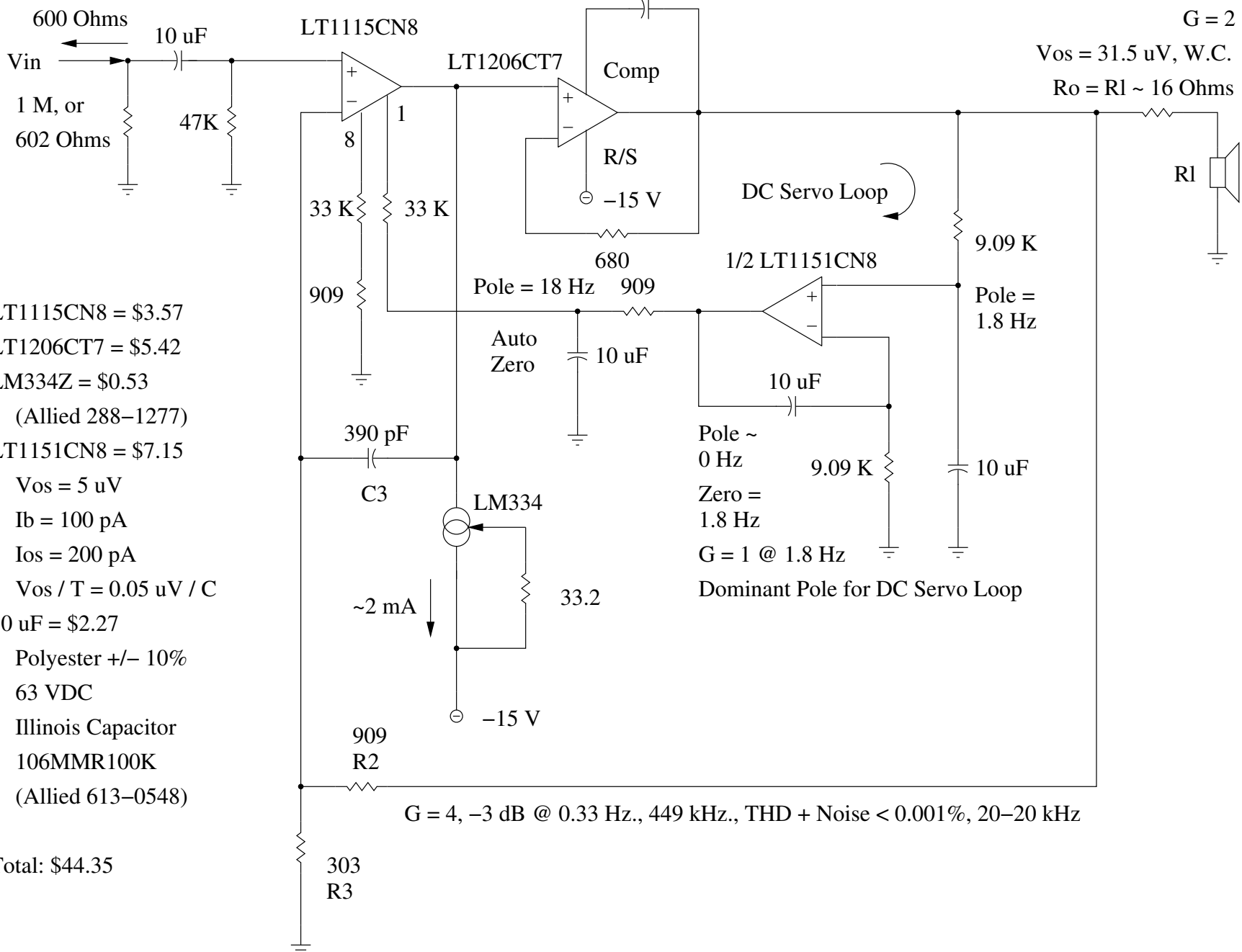


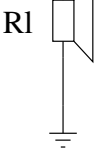
Pole = 0.33 Hz



LT1115CN8 = \$3.57
 LT1206CT7 = \$5.42
 LM334Z = \$0.53
 (Allied 288-1277)
 LT1151CN8 = \$7.15
 Vos = 5 uV
 Ib = 100 pA
 Ios = 200 pA
 Vos / T = 0.05 uV / C
 10 uF = \$2.27
 Polyester +/- 10%
 63 VDC
 Illinois Capacitor
 106MMR100K
 (Allied 613-0548)

Total: \$44.35

G = 4, -3 dB @ 0.33 Hz., 449 kHz., THD + Noise < 0.001%, 20-20 kHz



G = 2
 Vos = 31.5 uV, W.C.
 Ro = Rl ~ 16 Ohms

DC Servo Loop

1/2 LT1151CN8

Pole = 18 Hz

Auto Zero

Pole ~ 0 Hz
 Zero = 1.8 Hz

Dominant Pole for DC Servo Loop

Pole = 1.8 Hz

C3

LM334

-15 V

R2

R3